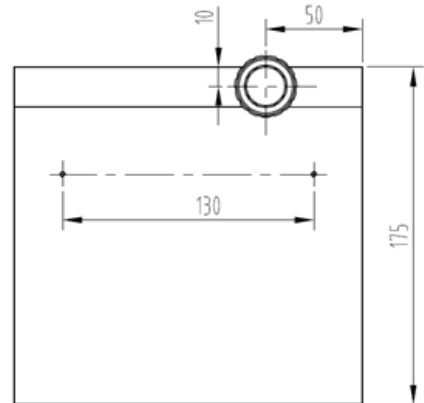
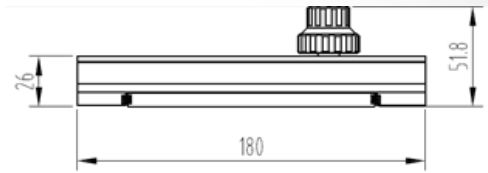
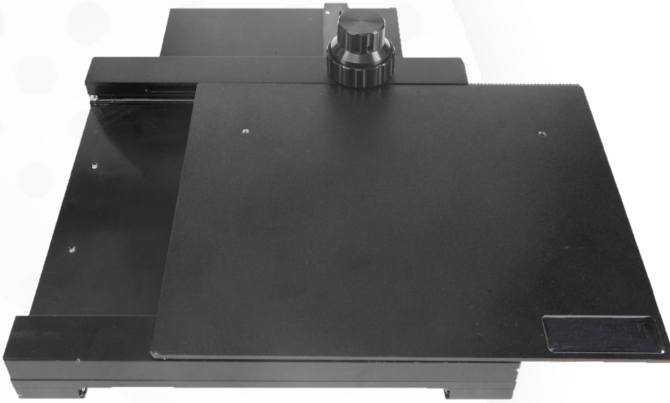


XY STAGE

AI 100-010



KEY FEATURES

- XY Control with Dual Knob
- Clamps for securing slides or other objects

SPECIFICATIONS

| | |
|---------------------------|-----------------|
| DIMENSIONS (L X W X H MM) | 17.5 x 18 x 5.1 |
| MOVING RANGE | X: 100, Y: 86 |
| WEIGHT | 2.2 KG |